

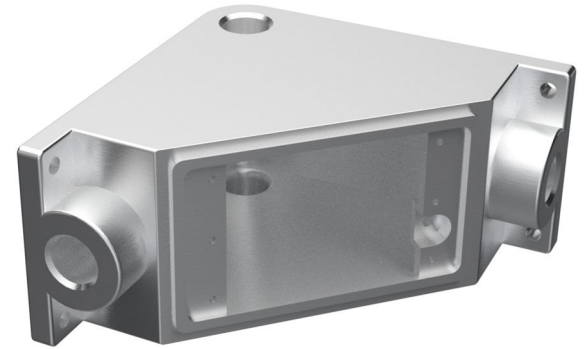


TECHNICAL DATA SHEET

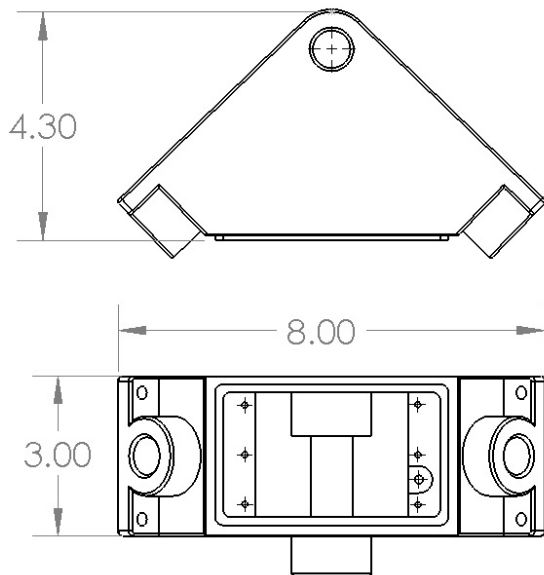
DEVICE BOX - FD CORNER T BOX

DESCRIPTION

The corner box series simplifies conduit runs by easily navigating internal corners in a wide variety of applications..



TECHNICAL DATA



WEIGHT: 6 lbs
P/N: FSX-7524

FEATURES

- Single Gang
- Zinc Electroplated Steel
- 4 X 3/4" Threaded Conduit Hubs
- Ground Screw
- Fits all FS & FD Accessories
- Corner Mounting Lugs
- Chamfered Entries for Cable Pulling

SF INDUSTRIES

1 979 337 2355
sales@sfindustriesusa.com
www.sfindustriesusa.com

1910 EAST TOM GREEN ST
BRENHAM, TEXAS
77833



TECHNICAL DATA SHEET

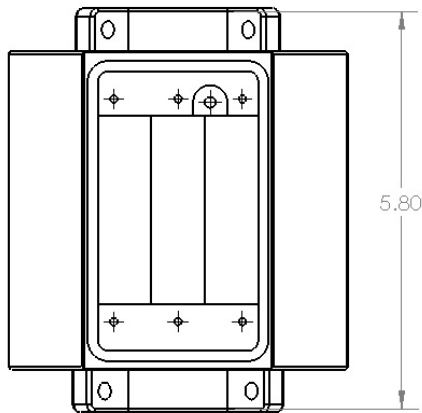
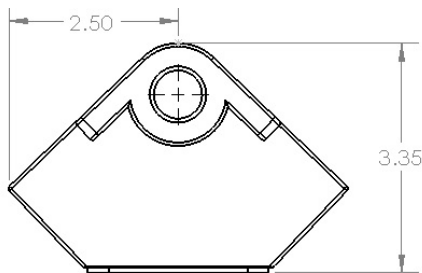
DEVICE BOX - THROUGH CORNER BOX

DESCRIPTION

The corner box series simplifies conduit runs by easily navigating internal corners in a wide variety of applications..



TECHNICAL DATA



WEIGHT: 4lbs

P/N: FDC-7524

FEATURES

- Single Gang
- Zinc Electroplated Steel
- 2 X 3/4" Threaded Conduit Hubs
- Ground Screw
- Fits all FS & FD Accessories
- Corner Mounting Lugs
- Chamfered Entries for Cable Pulling

SF INDUSTRIES

1 979 337 2355
sales@sfindustriesusa.com
www.sfindustriesusa.com

1910 EAST TOM GREEN ST
BRENHAM, TEXAS
77833

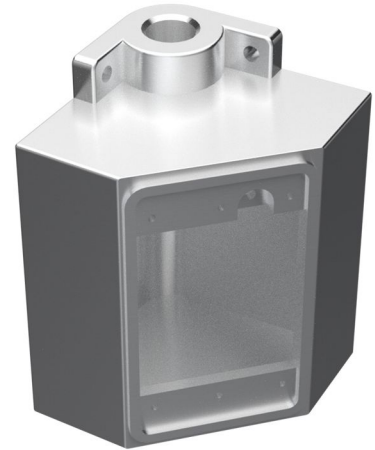


TECHNICAL DATA SHEET

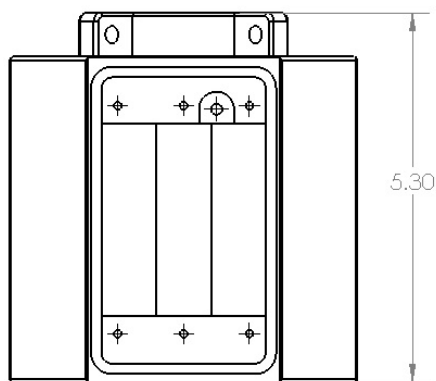
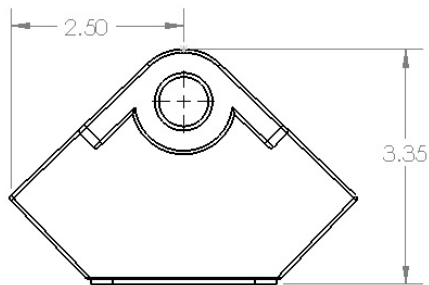
DEVICE BOX - END CORNER BOX

DESCRIPTION

The corner box series simplifies conduit runs by easily navigating internal corners in a wide variety of applications..



TECHNICAL DATA



WEIGHT: 4lbs

P/N: FDT-7524

FEATURES

- Single Gang
- Zinc Electroplated Steel
- 1 X 3/4" Threaded Conduit Hubs
- Ground Screw
- Fits all FS & FD Accessories
- Corner Mounting Lugs
- Chamfered Entries for Cable Pulling

SF INDUSTRIES

1 979 337 2355
sales@sfindustriesusa.com
www.sfindustriesusa.com

1910 EAST TOM GREEN ST
BRENHAM, TEXAS
77833