



# TECHNICAL DATA SHEET

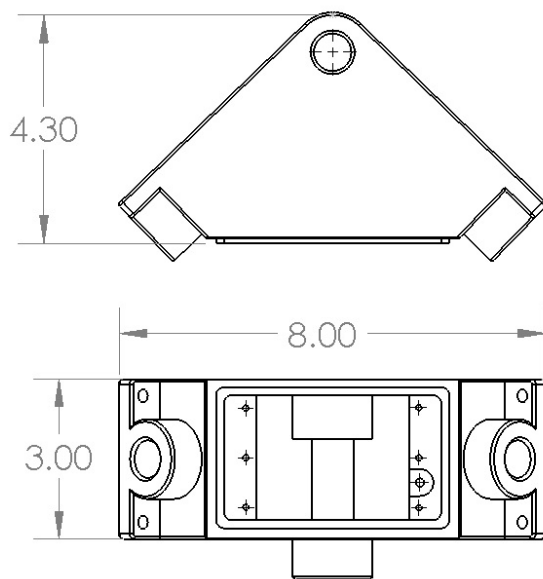
## FDC CORNER DEVICE BOX - 4 Inlets

### DESCRIPTION

The corner box series simplifies conduit runs by easily navigating internal corners in a wide variety of applications.



### TECHNICAL DATA



WEIGHT: 6 lbs

P/N: FSX-7524

### FEATURES

- Single Gang
- Zinc Electroplated Steel
- 4 x 3/4" Threaded Conduit Hubs
- Ground Screw
- Fits all FS & FD Flush Accessories
- Corner Mounting Lugs
- Chamfered Entries for Safe Cable Pulling

**SF INDUSTRIES**

1 979 337 2355  
sales@sfindustriesusa.com  
www.sfindustriesusa.com

1910 EAST TOM GREEN ST  
STE 1A  
BRENHAM TEXAS 77833



# TECHNICAL DATA SHEET

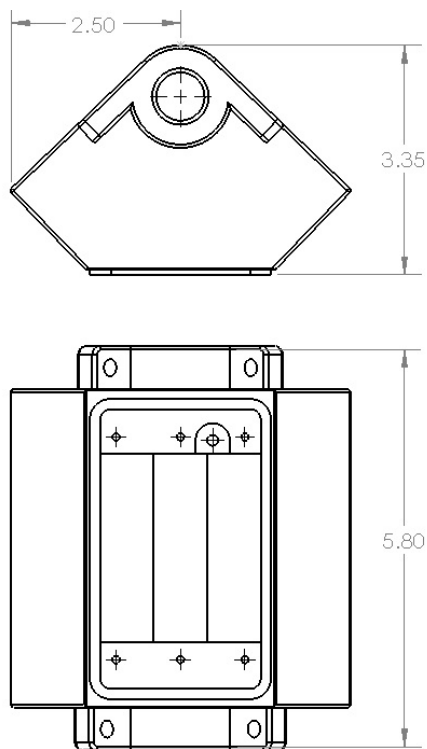
## FDC CORNER DEVICE BOX - 2 Inlets

### DESCRIPTION

The corner box series simplifies conduit runs by easily navigating internal corners in a wide variety of applications.



### TECHNICAL DATA



WEIGHT: 4lbs

P/N: FDC-7524

### FEATURES

- Single Gang
- Zinc Electroplated Steel
- 2 x 3/4" Threaded Conduit Hubs
- Ground Screw
- Fits all FS & FD Flush Accessories
- Corner Mounting Lugs
- Chamfered Entries for Safe Cable Pulling

**SF INDUSTRIES**

1 979 337 2355  
sales@sfindustriesusa.com  
www.sfindustriesusa.com

1910 EAST TOM GREEN ST  
STE 1A  
BRENHAM TEXAS 77833



# TECHNICAL DATA SHEET

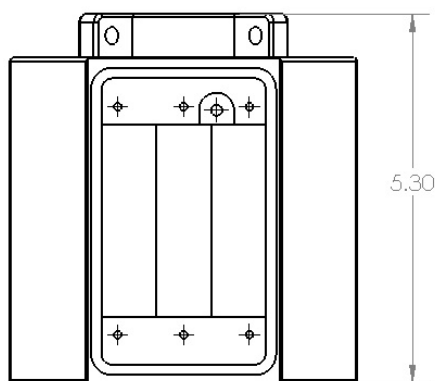
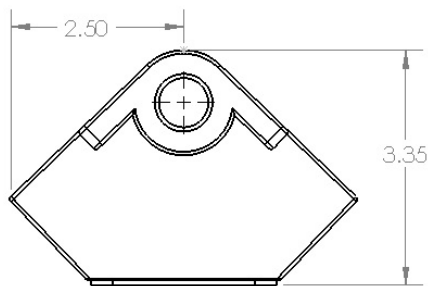
## FDC CORNER DEVICE BOX - 1 Inlet

### DESCRIPTION

The corner box series simplifies conduit runs by easily navigating internal corners in a wide variety of applications.



### TECHNICAL DATA



WEIGHT: 4lbs

P/N: FDT-7524

### FEATURES

- Single Gang
- Zinc Electroplated Steel
- 1 x 3/4" Threaded Conduit Hubs
- Ground Screw
- Fits all FS & FD Flush Accessories
- Corner Mounting Lugs
- Chamfered Entries for Safe Cable Pulling

**SF INDUSTRIES**

1 979 337 2355  
sales@sfindustriesusa.com  
www.sfindustriesusa.com

1910 EAST TOM GREEN ST  
STE 1A  
BRENHAM TEXAS 77833